

QUARTER-TURN LATCH STAINLESS STEEL 18 MM



This complete latch consists of housing, nut, insert, washer, screw and cam. To achieve protection degree IP66, an O-ring and pour-in-place foamed polyurethane gasket is applied. The latch can be supplied un-assembled, pre-assembled with enclosed cam or completely assembled. Waterproof according to NEMA 4.



MATERIAL

Cam: Stainless steel 304
Housing: Stainless steel 303
Insert: Stainless steel 303
Nut: Stainless steel 303

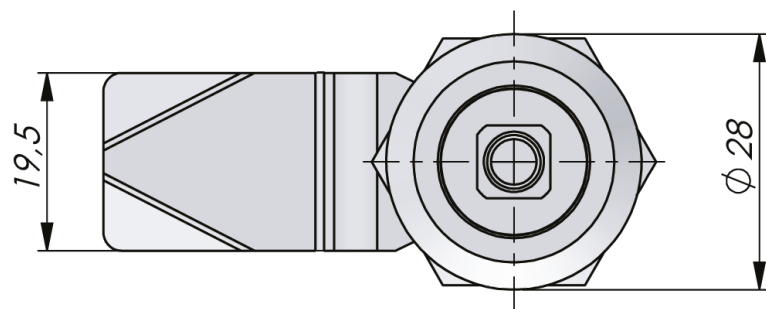
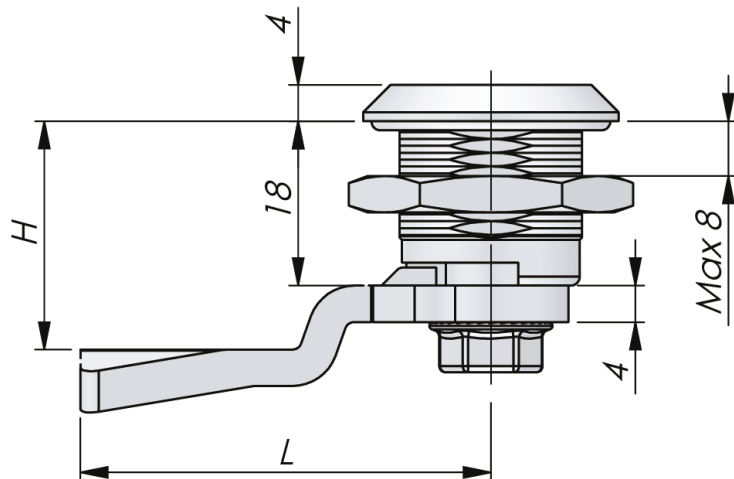
RELATED PRODUCTS

Similar products: 6-115, 6-116
 Use the Index Code at industrilas.com

TECHNICAL INFORMATION

* = also classed "Waterproof according to NEMA 4"

Standards: IP66, NEMA 4
Cutout: COMBI



Industrilas
 — When access counts —

Make your selections in each column to create your article number (AAAA-BCCDEF-HHLL)

AAAA Housing	B Nut	CC Insert	D Material insert and housing	E Assembly	F Cam	HHLL H/L in mm
2313 Stainless steel 303	3 SS 303	01 Square 6	3 SS 303	2 IP54 - enclosed cam	3 SS 304	0000 No cam
		03 Square 7				0445 4 / 45
		05 Square 8		3 IP66 - enclosed cam		0645 6 / 45
		07 Square 8 / slotted				0845 8 / 45
		08 Square 8 / M6		4 IP54 - assembled		1045 10 / 45
		11 Square 8 / recessed				1245 12 / 45
		14 Triangle 7		5 IP66 - assembled		1445 14 / 45
		15 Triangle 8				1645 16 / 45
		16 Triangle 10				1845 18 / 45
		22 Double Bit 3				2045 20 / 45
		24 Double Bit 5				2245 22 / 45
		26 Slotted				2445 24 / 45
		41 Slotted recessed				2645 26 / 45
						2845 28 / 45
						3045 30 / 45
						3245 32 / 45
						3445 34 / 45
						3645 36 / 45
						3845 38 / 45
						4045 40 / 45
						4245 42 / 45
						4445 44 / 45
						4645 46 / 45
						4845 48 / 45
						5045 50 / 45

